

THIS DRAWING IS UNPUBLISHED.

RELEASED FOR PUBLICATION

---

© COPYRIGHT - By -

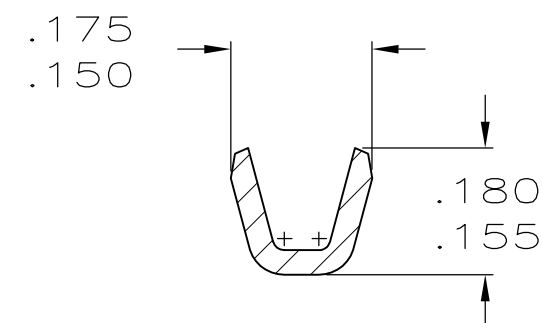
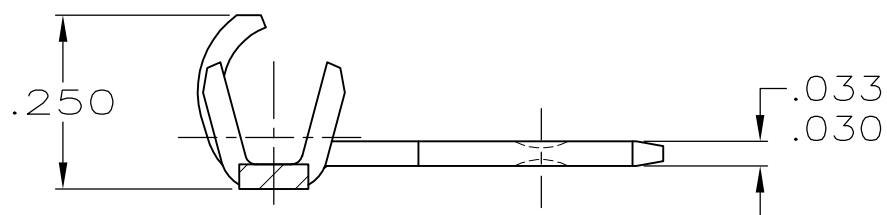
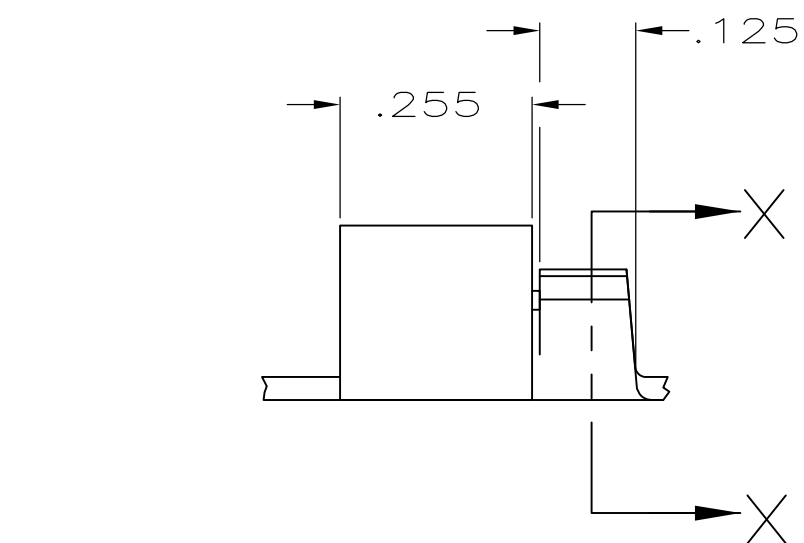
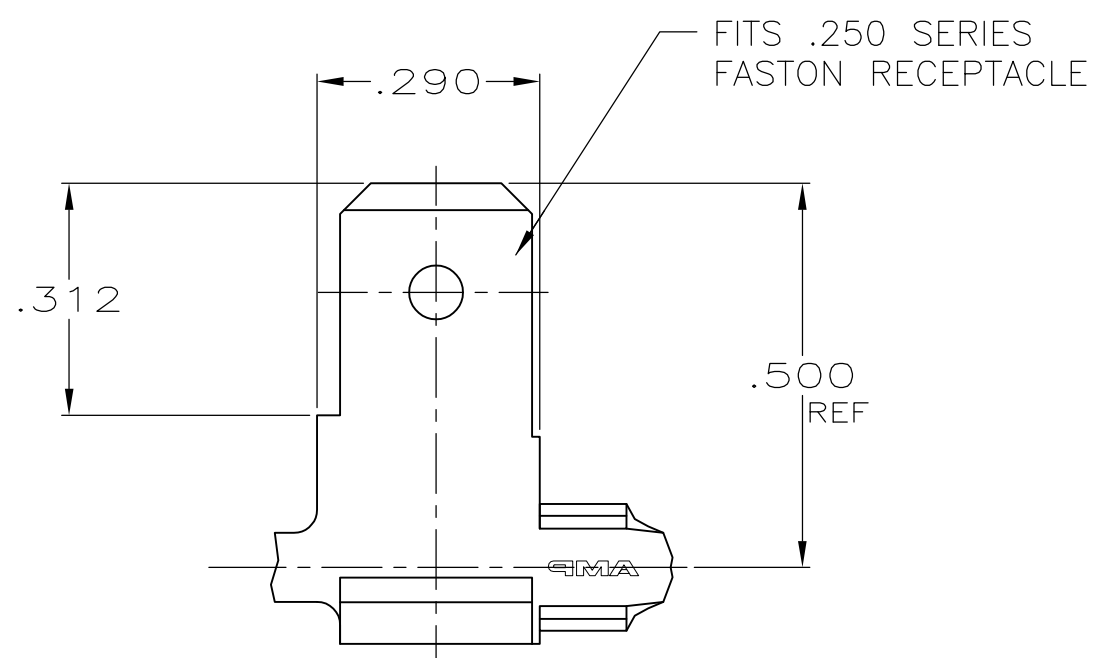
ALL RIGHTS RESERVED.

LOC  
AF

DIST  
50

REVISIONS

P	LTR	DESCRIPTION	DATE	DWN	APVD
	L	REVISED PER ECR-13-011489	06DEC2013	KH	PD



SECTION X-X

- 1 CONTINUOUS STRIP ON REELS.
- 2 REVERSE REEL OF 42770-2.
- 3 WIRE RANGE IS #18-#14.
- 4 INSULATION RANGE IS .080-.125 DIA.
- 5 REELED WITH INTERLEAVING PAPER.
- 6 PRELIMINARY - NOT FOR PRODUCTION.
- 7 PREPRODUCTION - FASR REQUIRED.

	TIN PLATE	7	42770-4	5
OBSOLETE	TIN PLATE	2	42770-3	
	TIN PLATE		42770-2	
	-	6	42770-1	
	FINISH		PART NUMBER	

THIS DRAWING IS A CONTROLLED DOCUMENT.		DWN M.S. FEHER 18MAR2005	TE Connectivity														
DIMENSIONS: INCHES		CHK K.A. RANDOLPH 18MAR2005															
TOLERANCES UNLESS OTHERWISE SPECIFIED:		APVD K.A. RANDOLPH 18MAR2005	NAME TAB, FASTON, FLAG, .250 SERIES														
<table border="0"> <tr><td>0 PLC</td><td>± -</td></tr> <tr><td>1 PLC</td><td>± -</td></tr> <tr><td>2 PLC</td><td>± -</td></tr> <tr><td>3 PLC</td><td>± .015</td></tr> <tr><td>4 PLC</td><td>± -</td></tr> <tr><td>ANGLES</td><td>± -</td></tr> </table>		0 PLC	± -	1 PLC	± -	2 PLC	± -	3 PLC	± .015	4 PLC	± -	ANGLES	± -	PRODUCT SPEC -	APPLICATION SPEC -		
0 PLC	± -																
1 PLC	± -																
2 PLC	± -																
3 PLC	± .015																
4 PLC	± -																
ANGLES	± -																
MATERIAL BRASS	FINISH TIN	WEIGHT -	SIZE A3	CAGE CODE 00779	DRAWING NO C-42770	RESTRICTED TO -											
CUSTOMER DRAWING			SCALE 4:1	SHEET 1 OF 1	REV L												